



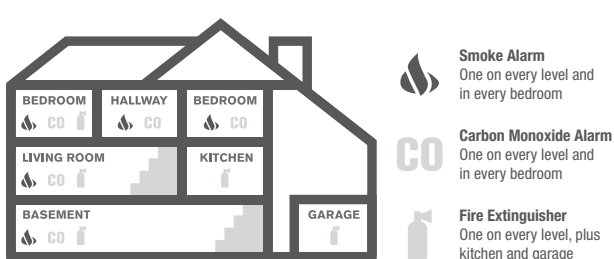
USER'S MANUAL

SMOKE ALARM
AC POWERED WITH VOICE & LOCATION
AND 10-YEAR SEALED BATTERY BACKUP

Model SM110V-AC



RECOMMENDED PLACEMENT:



Smoke Alarm
One on every level and in every bedroom

Carbon Monoxide Alarm
One on every level and in every bedroom

Fire Extinguisher
One on every level, plus kitchen and garage

- When installing on the ceiling, place the Alarm as close to the center as possible.
- When installing on the wall, the top edge of Smoke Alarms should be placed between 4 inches (102 mm) and 12 inches (305 mm) from the wall/ceiling line.
- In either case, install at least 4 inches (102 mm) from where the wall and ceiling meet. See "Avoiding Dead Air Spaces" for more information.

NOTE: For any location, make sure no door or other obstruction could keep carbon monoxide or smoke from reaching the Alarm.

WHERE NOT TO INSTALL THIS ALARM FOR BEST PERFORMANCE. IT IS RECOMMENDED YOU AVOID INSTALLING SMOKE ALARMS IN THESE AREAS:

- In garages, furnace rooms, crawl spaces and unfinished attics. Avoid extremely dusty, dirty or greasy areas.
- Where combustion particles are produced. Combustion particles form when something burns or is added to include poorly ventilated kitchens, garages, and furnace rooms. Keep units at least 20 feet (6 meters) from the sources of combustion particles (stove, furnace, water heater, space heater) if possible. In areas where a 20-foot (6 meter) distance is not possible – in modular, mobile, or smaller homes, for example – it is recommended the Smoke Alarm be placed as far from these fuel-burning sources as possible. The placement recommendations are intended to keep these Alarms at a reasonable distance from a fuel-burning source, and thus reduce unwanted Alarms. Unwanted Alarms can occur if a Smoke Alarm is placed directly next to a fuel-burning source. Ventilate these areas as much as possible.
- Within 5 feet (1.5 meters) of any cooking appliance. In air streams near kitchens. Air currents can draw cooking smoke into the smoke sensor and cause unwanted Alarms.
- In extremely humid areas. This Alarm should be at least 10 feet (3 meters) from a shower, sauna, humidifier, vaporizer, dishwasher, laundry room, utility room, or other source of high humidity.
- In direct sunlight.
- In turbulent air, like near ceiling fans or open windows. Blowing air may prevent smoke from reaching the sensors.
- In areas where temperature is colder than 40° F (4.4° C) or hotter than 100° F (37.8° C). These areas include non air-conditioned crawl spaces, unfinished attics, uninsulated or poorly insulated ceilings, porches, and garages.
- In insect infested areas. Insects can clog the openings to the sensing chamber.
- Less than 12 inches (305 mm) away from fluorescent lights. Electrical "noise" can interfere with the sensor.
- In "dead air" spaces.

AVOIDING DEAD AIR SPACES
"Dead air" spaces may prevent smoke from reaching the Smoke Alarm. To avoid dead air spaces, follow installation recommendations below.

On ceilings, install Smoke Alarms as close to the center of the ceiling as possible. If this is not possible, install the Smoke Alarm at least 4 inches (102 mm) from the wall or corner.

For wall mounting (if allowed by building codes), the top edge of Smoke Alarms should be placed between 4 inches (102 mm) and 12 inches (305 mm) from the wall/ceiling line, below typical "dead air" spaces.

On a peaked, gabled, or cathedral ceiling, install the first Smoke Alarm within 3 feet (0.9 meters) of the peak of the ceiling, measured horizontally. Additional Smoke Alarms may be required depending on the length, angle, etc. of the ceiling's slope. Refer to NFPA 72 for details on requirements for sloped or peaked ceilings.

HOW TO INSTALL THIS ALARM

IMPORTANT!
This Smoke Alarm is designed to be mounted on any standard wiring junction box up to a 4-inch (10 cm) size, on either the ceiling or wall (if allowed by local codes). Read "Where to Install This Alarm" and "Where This Alarm Should Not Be Installed" before you begin installation.

Tools you will need: needle-nose pliers or utility knife, standard flathead screwdriver, wire strippers

▲ WARNING!
Make sure the Alarm is not receiving excessively noisy power. Examples of noisy power could be major appliances on the same circuit, power from a generator or solar power, light dimmers on the same circuit or mounted near fluorescent lighting. Excessively noisy power may cause damage to your Alarm.

THE PARTS OF THIS ALARM

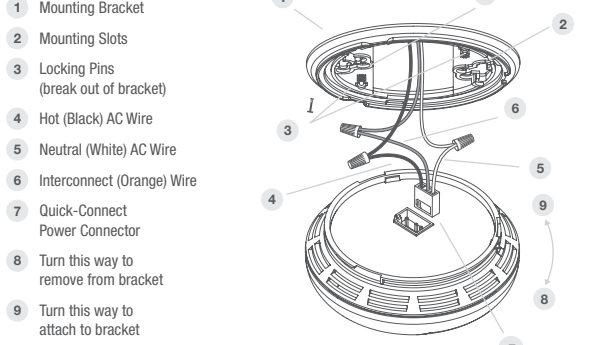
The Mounting Bracket: To remove the mounting bracket from the Alarm base, hold the Alarm base firmly and twist the mounting bracket counterclockwise. The mounting bracket installs onto the junction box. It has a variety of screw slots to fit most boxes.

The Power Connector: The power connector plugs into a power input block on the Alarm. It supplies the unit with AC power.

- The black wire is "hot."
- The white wire is neutral.
- The orange wire is used for interconnect.

If you need to remove the power connector, turn **POWER OFF** first. Insert a flat screwdriver blade between the power connector and the security tab inside the power input block. Gently pry back the tab and pull the connector free.

THE PARTS OF THIS SMOKE ALARM



FOLLOW THESE SIMPLE STEPS

The basic installation of this Smoke Alarm is similar whether you want to install one Alarm, or interconnect more than one Alarm. If you are interconnecting more than one Alarm, you **MUST** read "Special Requirements For Interconnected Alarms" below before you begin installation.

▲ DANGER!
ELECTRICAL SHOCK HAZARD. Turn off power to the area where you will install this unit at the circuit breaker or fuse box before beginning installation. Failure to turn off the power before installation may result in serious electrical shock, injury or death.

- Attach the mounting bracket to the junction box.
- Using wire nuts, connect the power connector to the household wiring.

STAND-ALONE ALARM ONLY:

- Connect the white wire on the power connector to the neutral wire in the junction box.
- Connect the black wire on the power connector to the hot wire in the junction box.
- Tuck the orange wire inside the junction box. It is used for interconnect only.

INTERCONNECTED UNITS ONLY:

- Strip off about 1/2" (12 mm) of the plastic coating on the orange wire on the power connector.
- Connect the white wire on the power connector to the neutral wire in the junction box.
- Connect the black wire on the power connector to the hot wire in the junction box.
- Connect the orange wire on the power connector to the interconnect wire in the junction box. Repeat for each unit you are interconnecting. Never connect the hot or neutral wires in the junction box to the orange interconnect wire. Never cross hot and neutral wires between Alarms.

- Plug the power connector into the back of the Alarm.
- Position the base of the Alarm over the mounting bracket, and turn the Alarm clockwise (right) until the unit is in place. If wall mounted, adjust unit so words are level. The battery backup will activate when you mount the alarm.
- Check all connections.

▲ WARNING!
Improper wiring of the power connector or the wiring leading to the power connector will cause damage to the Alarm and may lead to a non-functioning Alarm.

STAND-ALONE ALARM ONLY:

- If you are only installing one Alarm, restore power to the junction box.

INTERCONNECTED UNITS ONLY:

- If you are interconnecting multiple Alarms, repeat steps 1-5 for each Alarm in the series. When you are finished, restore power to the junction box.

▲ DANGER!
ELECTRICAL SHOCK HAZARD. Do not restore power until all Alarms are completely installed. Restoring power before installation is complete may result in serious electrical shock, injury or death.

- Turn AC power back on. Under normal operation, the Green power indicator light will shine continuously.
- If the Green power indicator light does not light, **TURN OFF POWER TO THE JUNCTION BOX** and recheck all connections. If all connections are correct and the Green power indicator still does not light when you restore the power, the unit should be replaced immediately.
- Test each Alarm. Press and hold the Test/Silence button until the unit Alarms. **When testing a series of interconnected units you must test each unit individually. Make sure all units Alarm when each one is tested.**

▲ DANGER!
If any unit in the series does not Alarm, **TURN OFF POWER** and recheck connections. If it does not Alarm when you restore power, replace it immediately.

SPECIAL REQUIREMENTS FOR INTERCONNECTED ALARMS

▲ WARNING!

- Failure to meet any of the above requirements could damage the units and cause them to malfunction, removing your protection.
- AC and AC/DC Alarms can be interconnected. Under AC power, all units will Alarm when one senses smoke. When power is interrupted, only the AC/DC units in the series will continue to send and receive signals. AC powered Alarms will not operate.**

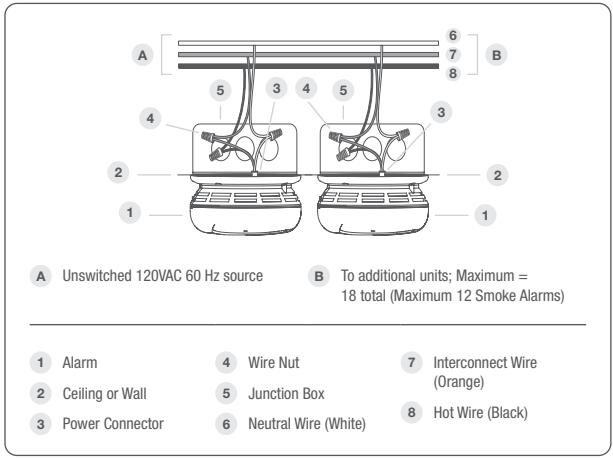
Interconnected units can provide earlier warning of fire than stand-alone units, especially if a fire starts in a remote area of the dwelling. If any unit in the series senses smoke, all units will Alarm. To determine which Alarm initiated an Alarm, see table:

During an Alarm	On Initiating Alarm(s): Red LED(s) flashes (flash) rapidly On All Other Alarms: Red LED is Off
After an Alarm (Latching)	On Initiating Alarm(s): Red LED(s) On for 2 seconds/Off for 2 seconds On All Other Alarms: Green LED(s) On, Red LED(s) Off

COMPATIBLE INTERCONNECTED UNITS
IMPORTANT!
Interconnect units within a single family residence only. Otherwise all households will experience unwanted alarms when you test any unit in the series. Interconnected units will only work if they are wired to compatible units and all requirements are met. This unit is designed to be compatible with: First Alert and BRK Smoke Alarm Models 7010, 9120, 3120B, 7010B, 7010BSL, 7020B, 7020BSL, 9120B, SA620, SM100V-AC, SM100V-AC, SM300-AC, SM110V-AC, and SM110V-AC. First Alert and BRK Smoke & CO Alarm Models SC7100R, SC7100R, SC9120B, 1039102, 7030BSL, SMCO100-AC, SMCO105-AC, SMCO100V-AC, SMCO110V-AC, SMCO110LED-AC, First Alert and BRK CO Alarm Models CO5120BN and CO5120PDBN; First Alert and BRK Heat Alarm Model HD6135FB; RMA Relay and SLED177 Strobe when connected via an RMA Relay.

INTERCONNECTED UNITS MUST MEET ALL OF THE FOLLOWING REQUIREMENTS:

- A maximum of 18 compatible units may be interconnected (Maximum of 12 Smoke Alarms).
- The same fuse or circuit breaker must power all interconnected units.
- The total length of wire interconnecting the units should be less than 1000 feet (300 meters). This type of wire is commonly available at Hardware and Electrical Supply stores.
- All wiring must conform to all local electrical codes and NFPA 70 (NEC). Refer to NFPA 72, NFPA 101, and/or your local building code for further connection requirements.



STEP BY STEP GUIDE TO PROGRAMMING THIS ALARM For First Time and When Changing Batteries

Action	Alarm Will Say
Activate the battery by twisting the alarm onto the mounting bracket.	"Welcome, First Alert Smoke Alarm." "No location programmed" if first time or "[Location, example: "Basement"]" location programmed" when changing batteries. "To select location, press and hold test button now."
Press & hold test button if you would like to program the location or change the location of the alarm. Release button after alarm responds.	"To save location, press and hold test button after location is heard." Alarm will speak list of locations (see below).
After you hear the location of where you are placing the alarm, press & hold the test button.	"[Location, example: "Basement"] location saved." If no location is chosen: "No location saved."

Your Alarm has now been programmed for the location of your choice.
Available Locations: Basement, Hallway, Office, Child's Bedroom, Kitchen, Utility Room, Dining Room, Living Room, Family Room, Master Bedroom, Guest Bedroom, No Location.
For Reprogramming: When it is necessary to reprogram the Alarm after the unit has been activated and is in normal operation. Tap the test button 5 times to reset the Alarm to again access the programming menu.

Action	What You Will See & Hear
Normal Operations	Voice: Silent; Power/Smoke LED: Constant Green; Horn: Silent
When You Test the Alarm	Voice: "Testing." Horn: 3 beeps, pause, 3 beeps; Voice: "Warning, evacuate smoke in [Location, example: "Basement"]. Evacuate."; Power/Smoke LED: Flashes Red in sync with the horn pattern
If Battery Becomes Low	Voice: "Detector error in [Location, example "Basement"], please see manual." Repeated every 5 hours; Horn: 5 chirps every minute; Power/Smoke LED: Flashes Green once a minute if AC power is off
If Alarm is Not Operating Properly (MALFUNCTION SIGNAL)	Voice: "Detector error in [Location, example "Basement"], please see manual." Repeated every 5 hours; Horn: 3 chirps every minute; Power/Smoke LED: 3 Green Flashes approximately once a minute
Alarm has reached its End of Life	Voice: "Detector error in [Location, example "Basement"], please see manual." Repeated every 5 hours; Horn: 5 chirps every minute; Power/Smoke LED: 5 Green Flashes approximately once a minute
Smoke is Detected	Horn: 3 beeps, pause, repeating 9 times; Voice: "Warning, evacuate smoke in [Location, example: "Basement"]. Evacuate."; Horn: 3 beeps, pause, repeating 2 times followed by Voice Warning above; Power/Smoke LED: During Alarm: Flashes Red in sync with the horn pattern. After Alarm: Flashes Red On for 2 seconds/Off for 2 seconds. Smoke Alarm Latch is now engaged
Smoke Alarm is Silenced	Voice: "Horn silenced. Detector active."; Horn: Off; Power/Smoke LED: Flashes Red

04 ALARM FEATURES

- Voice & Location Alerts:** Friendly voice tells you what the danger is and it's location.
- 10 Year Sealed Battery Backup:** For protection during power outages.
- Early Warning Interconnect:** When one alarm sounds, all compatible alarms sound.
- Quick Connect Plug:** Allows for easy installation. No need to rewire.

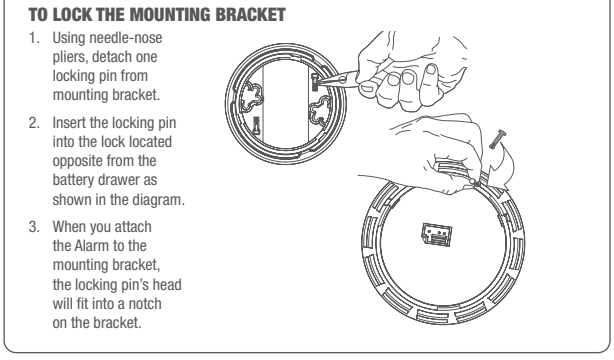
LOCKING FEATURES
The locking features are designed to discourage unauthorized removal of the batteries or Alarm. It is not necessary to activate the locks in single-family households where unauthorized battery or Alarm removal is not a concern.

These Alarms have two separate locking features: one to lock the battery compartment, and the other to lock the Alarm to the mounting bracket. You can choose to use either feature independently, or use them both.

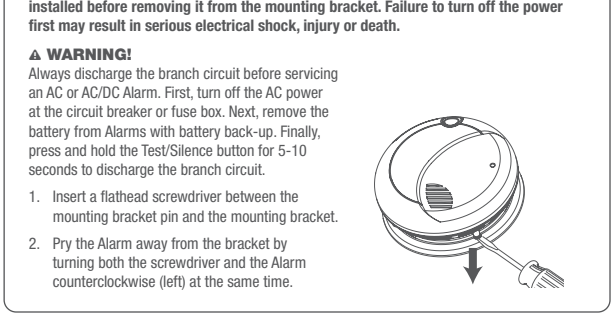
Tools you will need: Needle-nose pliers, Standard Flathead screwdriver.

Both locking mechanisms use locking pins, which are nested into the mounting bracket. Using needle-nose pliers, remove one or both pins from the mounting bracket, depending on how many locking features you want to use.

IMPORTANT!
To permanently remove either lock, insert a flathead screwdriver between the locking pin and the lock, and pry the pin out of the lock.



TO UNLOCK THE MOUNTING BRACKET
▲ DANGER!
ELECTRICAL SHOCK HAZARD. Turn off the power to the area where the Alarm is installed before removing it from the mounting bracket. Failure to turn off the power first may result in serious electrical shock, injury or death.



TO PERMANENTLY DEACTIVATE THE SMOKE ALARM
▲ WARNING!
Alarm is sealed. The powercell is not replaceable. Once it reaches the end of its service life, or after 10 years—which ever comes first—you must install a new Smoke Alarm.

- After 10 years or after the "low power warning" sounds (whichever comes first):**
- Once you deactivate this unit, it will not detect smoke or alarm. It cannot be reactivated. You must install a new unit to continue your protection. Alarm will resist mounting to the bracket after deactivation.
 - Use a flathead screwdriver to score label along dotted line.
 - Move deactivation tab outward until tab snaps into place. This will discharge the powercell and deactivate the unit.
 - Install a new Smoke Alarm immediately!

05 TESTING & MAINTENANCE

WEEKLY TESTING

- ▲ WARNING!**
NEVER use an open flame of any kind to test this unit. You might accidentally damage or set fire to the unit or to your home. NEVER use vehicle exhaust! Exhaust may cause permanent damage

and voids your warranty.

- If the Alarm ever fails to test properly, replace it immediately. Products under warranty may be returned to the manufacturer for replacement. See "Limited Warranty" at the end of this manual.

▲ CAUTION!
It is important to test this unit every week to make sure it is working properly. Using the test button is the recommended way to test this Smoke Alarm.

You can test this Smoke Alarm by pressing and holding the Test/Silence button on the Alarm cover until **Alarm Voice** says "Testing" (typically 3-5 seconds).

Activate the Alarm test, reset or silence function by use of a finger or thumb. Use of any other instrument is strictly prohibited.

During testing, you will see and hear the following sequence:

- The Alarm **Voice** will say "Testing." The **Horn** will sound 3 beeps, pause, 3 beeps. The Alarm **Voice** will say "Warning, evacuate smoke in [Location, example: "Basement"]. Evacuate." The **Power/Smoke LED** flashes Red.

If the unit does not alarm, make sure the batteries are correctly installed, and test again. If the unit still does not alarm, replace it immediately.

REGULAR MAINTENANCE

This unit has been designed to be as maintenance-free as possible, but there are a few simple things you must do to keep it working properly:

- Test it at least once a week.
- Clean the Smoke Alarm at least once a month; gently vacuum the outside of the Smoke Alarm using your household vacuum's soft brush attachment. Test the Smoke Alarm. Never use water, cleaners or solvents since they may damage the unit.
- If the Smoke Alarm becomes contaminated by excessive dirt, dust and/or grime, cannot be cleaned to avoid unwanted alarms, replace the unit immediately.
- If the green power LED flashes 2 times every minute (horn is silent) it means that the Alarm needs to be cleaned as indicated above. If green light continues to flash, replace Alarm.
- Relocate the unit if it sounds frequent unwanted alarms. See "Where This Alarm Should Not Be Installed" for details.
- Protect or cover the alarm when doing any maintenance to home i.e. sanding floors, painting, drywall patching, etc. to prevent contamination.

IMPORTANT!
Actual battery service life depends on the Alarm and the environment in which it is installed. You **MUST** replace the Smoke Alarm immediately once the unit starts "chirping" (the End of Life or Malfunction warning).

TROUBLESHOOTING GUIDE

▲ DANGER!
ELECTRICAL SHOCK HAZARD. Turn off the power to the area where the Alarm is installed BEFORE removing it from the mounting bracket or checking any electrical connections! Failure to turn off the power first may result in electrical shock, injury or death.

IF THE ALARM...	PROBLEM...	YOU SHOULD...
Horn "chirps" 5 times and LED flashes Green 2 times once per minute. Voice: "Detector error in [Location, example "Basement"], please see manual." every 5 hours	Low battery warning.	Immediately replace the Alarm.
Horn "chirps" and Green LED flashes 3 times every minute. Voice: "Detector error in [Location, example "Basement"], please see manual", repeated every 5 hours.	MAJUNCTION SIGNAL. Device is not working properly, and needs to be replaced.	If unit is under warranty, contact Consumer Support to process a warranty replacement.
Horn "chirps" and Green LED flashes 5 times every minute. Voice: "Detector error in [Location, example "Basement"], please see manual", repeated every 5 hours.	END OF LIFE SIGNAL. Alarm needs to be replaced.	Immediately replace the Alarm.
Power LED flashes Green 2 times every minute.	Alarm requires cleaning.	Clean Alarm then press and release the test button. See Regular Maintenance section. If Green LED Continues to flash, contact Consumer Support.
Smoke Alarm sounds when no smoke is visible.	Unwanted alarm may be caused by nonemergency source like cooking smoke.	Silence Alarm using manual button; clean the Alarm's cover with a soft, clean cloth. If frequent, unwanted alarms continue, relocate your Alarm. Alarm may be too close to a kitchen, cooking appliance, or steamy bathroom.

If you have questions that cannot be answered by reading this manual, call the Customer Service Team at 1-800-323-9005

FIRE SAFETY TIPS

Follow safety rules and prevent hazardous situations: 1) Use smoking materials properly. Never smoke in bed. 2) Keep matches or lighters away from children; 3) Store flammable materials in proper containers; 4) Keep electrical appliances in good condition and don't overload electrical circuits; 5) Keep stoves, barbecue grills, fireplaces and chimneys grease- and debris-free; 6) Never leave anything cooking on the stove unattended; 7) Keep portable heaters and open flames, like candles, away from flammable materials; 8) Don't let rubbish accumulate. Keep Alarms clean, and test them weekly. Replace Alarms immediately if they are not working properly. Smoke Alarms that do not work cannot alert you to a fire. Keep at least one working fire extinguisher on every level, and an additional one in the kitchen. Have fire escape ladders or other reliable means of escape from an upper level in case stairs are blocked; 9) Have an escape plan and practice it regularly.

06 IF YOUR SMOKE ALARM SOUNDS

RESPONDING TO AN ALARM

- ▲ WARNING!**
If the unit alarms and you are not testing the unit, it is warning you of a potentially dangerous situation that requires your immediate attention. NEVER ignore any alarm. Ignoring the alarm may result in injury or death.
- Never remove the batteries from a battery operated Smoke Alarm to stop an unwanted alarm (caused by cooking smoke, etc.). Removing batteries disables the alarm so it cannot sense smoke, and removes your protection. Instead open a window or fan the smoke away from the unit. The alarm will reset automatically.
- If the unit alarms get everyone out of the house immediately.

WHAT TO DO IN CASE OF FIRE

- Don't panic; stay calm. Follow your family escape plan.
- Get out of the house as quickly as possible. Don't stop to get dressed or collect anything.
- Feel doors with the back of your hand before opening them. If a door is cool, open it slowly. Don't open a hot door. Keep doors and windows closed, unless you must escape through them.
- Cover your nose and mouth with a cloth (preferably damp). Take short, shallow breaths.
- Meet at your planned meeting place outside your home, and do a head count to make sure everybody got out safely.
- Call the Fire Department as soon as possible from outside. Give your address, then your name.
- Never go back inside a burning building for any reason.
- Contact your Fire Department for ideas on making your home safer.

07 USING THE SILENCE FEATURES

▲ WARNING!
Alarms have various limitations. See "General Limitations of Smoke Alarms" for details.

▲ WARNING!
NEVER remove the batteries to quiet an unwanted alarm. Removing the batteries disables the alarm and removes your protection.

- The Silence Feature is intended to temporarily silence the horn while you identify and correct the problem. Do not use the Silence Feature in emergency situations. It will not extinguish a fire.
- The Silence Feature can temporarily quiet an unwanted alarm for several minutes. You can silence this Smoke Alarm by pressing the Test/Silence button on the alarm cover for at least 3-5 seconds.
- After the Test/Silence button is released, the Alarm Voice will say "Horn silenced, detector active." The Red LED blinks during the silence mode.

WHEN THE SMOKE ALARM IS SILENCED

- The Smoke Alarm will remain silent for up to 15 minutes, then return to normal operation.
- If the smoke has not cleared-or continues to increase-the device will go back into alarm.

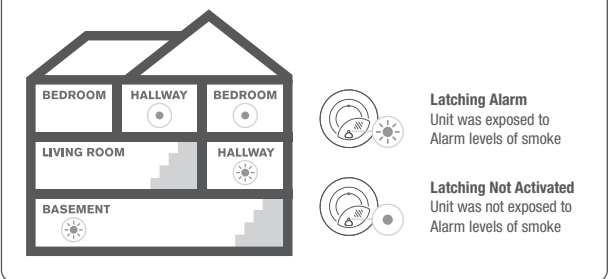
SILENCING THE END OF LIFE SIGNAL
This Silence Feature can temporarily quiet the End of Life warning "chirp" for up to 2 days. You can silence the End of Life warning "chirp" by pressing the Test/Silence button. The horn will chirp, acknowledging that the End of Life Silence Feature has been activated. After approximately 2 days, the End of Life "chirp" will resume. The timer shall not be able to be reset after 14 days following the initial end-of-life signal.

LATCHING FEATURES

Alarm Latch is activated after an Alarm is exposed to alarm levels of smoke. This feature will only work with AC Power. See "Special Requirements for Interconnected Alarms" for signaling. This feature helps emergency responders, investigators, or service technicians identify which unit(s) in your home were exposed to alarm levels of smoke. This can help investigators pinpoint the source of smoke.

Interconnected Alarms. Latching Alarm Indicator shows which Alarm(s) in the series were exposed to alarm levels of smoke. The Latching Alarm Indicator stays ON until you clear it, so it can alert you to an alarm that occurred while you were away from home, even though smoke present in the air has dropped below alarm levels.

Low Battery Latch is activated when the Alarm is in the "low battery condition". When this occurs, the Smoke/Power LED flashes Green On for 2 seconds/Off for 2 seconds. The feature is designed to help you identify which Alarm needs to have the battery replaced. Although, the Alarm will sound the low battery chirp approximately once every minute, sometimes during the initial stages of "low battery", the Alarm will chirp in greater intervals than one minute, sometimes up to several hours, until the battery reaches a steady low battery level. This innovative feature eliminates the frustration of waiting for another signaling unit to chirping.



"SMART INTERCONNECT" FEATURE
This Alarm includes "Smart Interconnect" which enables the Alarm to be interconnected with other First Alert® Smoke, Heat, and "Smart Interconnect" CO Alarms. When smoke is detected, all Alarms will sound the smoke horn pattern. When CO is detected, "Smart Interconnect" Alarms will sound the CO horn pattern. Alarms that do not have the "Smart Interconnect" feature will remain silent during a CO Alarm.

08 REGULATORY INFORMATION FOR SMOKE ALARMS

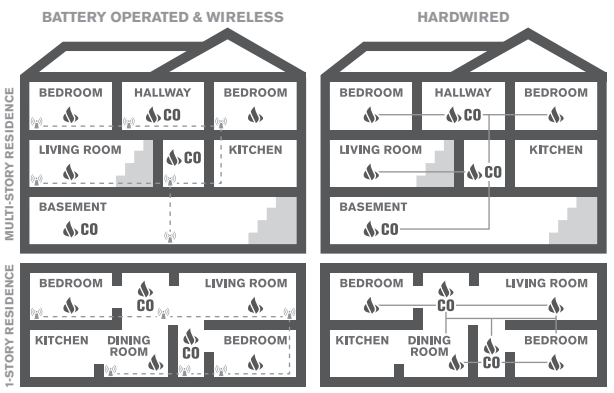
RECOMMENDED LOCATIONS FOR SMOKE ALARMS
INSTALLING SMOKE ALARMS IN SINGLE-FAMILY RESIDENCES

The National Fire Protection Association (NFPA), recommends one Smoke Alarm on every floor, in every sleeping area and in every bedroom. In new construction, the Smoke Alarms must be AC powered and tested. See "Agency Placement Recommendations" for details. For additional coverage, it is recommended that you install a Smoke Alarm in all rooms, halls, storage areas, finished attics, and basements, where temperatures normally remain between 40° F (4.4° C) and 100° F (37.8° C). Make sure no door or other obstruction could keep smoke from reaching the Smoke Alarms.

MORE SPECIFICALLY, INSTALL SMOKE ALARMS:

- On every level of your home, including finished attics and basements.
- Inside every bedroom, especially if people sleep with doors closed.
- In the hall near every sleeping area. If your home has multiple sleeping areas, install a unit in each.
- If a hall is over 40 feet (12 meters) long, install an Alarm at each end.
- At the top of the first-to-second level stairway, and at bottom of basement stairway.

IMPORTANT!
Specific requirements for Smoke Alarm installation vary from state to state and from region to region. Check with your local Fire Department for current regulations in your area. It is recommended AC or AC/DC units are interconnected for added protection.



▲ Smoke Alarms
● CO Alarms
▲ CO Both OR Combination Smoke/CO Alarms

☒ Wireless Alarms
--- Wireless Interconnected Alarms
--- Hardwired Interconnected AC or AC/DC Alarms

09 AGENCY PLACEMENT RECOMMENDATIONS

Standards: Underwriters Laboratories Inc. Single and Multiple Station Smoke Alarms 217.
NFPA 72, CHAPTER 29 "FOR YOUR INFORMATION, THE NATIONAL FIRE ALARM AND SIGNALING CODE, NFPA 72, READS AS FOLLOWS:"
29.5.1.1* Required Detection.

29.5.1.1* Where required by other governing laws, codes, or standards for a specific type of occupancy, approved single and multiple-station Smoke Alarms shall be installed as follows:

- "In all sleeping rooms and guest rooms
- "Outside of each separate dwelling unit sleeping area, within 21 ft (6.4 m) of any door to a sleeping room, with the distance measured along a path of travel
- On every level of a dwelling unit, including basements
- On every level of a residential board and care occupancy (small facility), including basements and excluding crawl spaces and unfinished attics
- "In the living area(s) of a guest suite
- In the living area(s) of a residential board and care occupancy (small facility) (Reprinted with permission from NFPA 72®, National Fire Alarm and Signaling Code Copyright © 2012 National Fire Protection Association, Quincy, MA 02269. This reprinted material is not the complete and official position of the National Fire Protection Association, on the referenced subject which is represented only by the standard in its entirety.)

(National Fire Alarm and Signaling Code® and NFPA 72® are registered trademarks of the National Fire Protection Association, Inc., Quincy, MA 02269.)

CALIFORNIA STATE FIRE MARSHAL (CSFM)
Early warning detection is best achieved by the installation of fire detection equipment in all rooms and areas of the household as follows: A Smoke Alarm installed in each separate sleeping area (in the vicinity, but outside bedrooms), and Heat or Smoke Alarms in the living rooms, dining rooms, bedrooms, kitchens, hallways, finished attics, furnace rooms, closets, utility and storage rooms, basements, and attached garages.

10 SPECIAL COMPLIANCE CONSIDERATIONS

FCC COMPLIANCE

This equipment has been tested and found to comply with the limits for a Class B digital device, pursuant to Part 15 of the FCC rules. These limits are designed to provide reasonable protection against harmful interference in a residential installation. This equipment generates, uses and can radiate radio frequency energy and, if not installed and used in accordance with the instructions, may cause harmful interference to radio communications.

However, there is no guarantee that the interference will not occur in a particular installation. If this equipment does cause harmful interference to radio or television reception, which can be determined by turning the equipment off and on, the user is encouraged to try to correct the interference by one or more of the following measures:

- Reorient or relocate the receiving antenna.
- Increase the separation between the equipment and receiver.
- Connect the equipment into an outlet on a circuit different from that of the receiver.
- Consult the dealer or an experienced radio or TV technician for help.

▲ **WARNING!**

Changes or modifications to the product, not expressly approved by First Alert, could void the user's authority to operate the equipment.

This device complies with Part 15 of the FCC Rules. Operation is subject to the following two conditions: (1) this device may not cause harmful interference, and (2) this device must accept any interference received, including interference that may cause undesired operation.

11 GENERAL LIMITATIONS OF SMOKE ALARMS

This Smoke Alarm is intended for residential use. It is not intended for use in industrial applications where Occupational Safety and Health Administration (OSHA) requirements for Smoke Alarms must be met. The Smoke Alarm is not intended to alert hearing impaired residents. Special purpose Smoke Alarms should be installed for hearing impaired residents.

Smoke Alarms may not awaken all individuals. Practice the escape plan at least twice a year, making sure that everyone is involved – from kids to grandparents. Allow children to master fire escape planning and practice before holding a fire drill at night when they are sleeping. If children or others do not readily awaken to the sound of the Smoke Alarm, or if there are infants or family members with mobility limitations, make sure that someone is assigned to assist them in fire drill and in the event of an emergency. It is recommended that you hold a fire drill while family members are sleeping in order to determine their response to the sound of the Smoke Alarm while sleeping and to determine whether they may need assistance in the event of an emergency.

Smoke Alarms cannot work without power. Battery operated units cannot work if the batteries are missing, disconnected or dead, if the wrong type of batteries are used, or if the batteries are not installed correctly. AC units cannot work if the AC power is cut off for any reason (open fuse or circuit breaker, failure along a power line or at a power station, electrical fire that burns the electrical wires, etc.). If you are concerned about the limitations of battery or AC power, install both types of units.

This Smoke Alarm will not sense smoke that does not reach the sensors. It will only sense smoke at the sensor. **Smoke may be present in other areas.** Doors or other obstructions may affect the rate at which smoke reaches the sensors. If bedroom doors are usually closed at night, we recommend you install an Alarm device (Combination CO and Smoke Alarm, or separate CO Alarms and Smoke Alarms) in each bedroom and in the hallway between them.

This Smoke Alarm may not sense smoke on another level of the home. Example: This Alarm device, installed on the second floor, may not sense smoke in the basement. For this reason, one Alarm device may not give adequate early warning. Recommended minimum protection is one Alarm device in every sleeping area, every bedroom, and on every level of your home. Some experts recommend battery powered Smoke Alarms be used in conjunction with interconnected AC powered Smoke Alarms. For details, see "About Smoke Alarms" for details.

Smoke Alarms may not be heard. The Alarm horn loudness meets or exceeds current UL standards of 85 dB at 10 feet (3 meters). However, if the Smoke Alarm is installed outside the bedroom, it may not wake up a sound sleeper or one who has recently used drugs or has been drinking alcoholic beverages. This is especially true if the door is closed or only partly open. Even persons who are awake may not hear the Alarm horn if the sound is blocked by distance or closed doors. Noise from traffic, stereo, radio, television, air conditioner, or other appliances may also prevent alert persons from hearing the Alarm horn. This Smoke Alarm is not intended for people who are hearing impaired.

The Alarm may not have time to Alarm before the fire itself causes damage, injury, or death, since smoke from some fires may not reach the unit immediately. Examples of this include persons smoking in bed, children playing with matches, when a person's clothing catches fire while cooking, fires caused by violent explosions resulting from escaping gas, or incendiary fires where the fire grows so rapidly that an occupant's egress is blocked even with properly located Smoke Alarms.

This Smoke Alarm is not a substitute for life insurance. Though this Smoke Alarm warns against the presence of smoke, First Alert does not warrant or imply in any way that they will protect lives. Homeowners and renters must still insure their lives.

This Smoke Alarm has a limited life. Although this Smoke Alarm and all of its parts have passed many stringent tests and are designed to be as reliable as possible, any of these parts could fail at any time. Therefore, you must test this device weekly. The unit should be replaced immediately if it is not operating properly.

This Smoke Alarm is not foolproof. Like all other electronic devices, this Smoke Alarm has limitations. It can only detect smoke that reaches the sensors. It may not give early warning of the source of smoke in a remote part of the home, away from the Alarm device.

12 LIMITED WARRANTY

First Alert® warrants that for a period of ten years from the date of purchase, this product will be free from defects in material and workmanship. First Alert, at its option, will repair or replace this product or any component of the product found to be defective during the warranty period. Replacement will be made with a new or remanufactured product or component. If the product is no longer available, replacement may be made with a similar product of equal or greater value. This is your exclusive warranty.

This warranty is valid for the original retail purchaser from the date of initial retail purchase and is not transferable. Keep the original sales receipt. Proof of purchase is required to obtain warranty performance. First Alert dealers, service centers, or retail stores selling First Alert products do not have the right to alter, modify or any way change the terms and conditions of this warranty.

This warranty does not cover normal wear of parts or damage resulting from any of the following: negligent use or misuse of the product, use on improper voltage or current, use contrary to the operating instructions, disassembly, repair or alteration by anyone other than First Alert or an authorized service center. Further, the warranty does not cover Acts of God, such as fire, flood, hurricanes and tornadoes or any batteries that are included with this unit.

First Alert shall not be liable for any incidental or consequential damages caused by the breach of any express or implied warranty. Except to the extent prohibited by applicable law, any implied warranty of merchantability or fitness for a particular purpose is limited in duration to the duration of the above warranty. Some states, provinces or jurisdictions do not allow the exclusion or limitation of incidental or consequential damages or limitations on how long an implied warranty lasts, so the above limitations or exclusion may not apply to you. This warranty gives you specific legal rights, and you may also have other rights that vary from state to state or province to province.

HOW TO OBTAIN WARRANTY SERVICE

Service: If service is required, do not return the product to your retailer. In order to obtain warranty service, contact the Customer Service Team at 1-800-323-9005. To assist us in serving you, please have the model number and date of purchase available when calling.

Battery: First Alert makes no warranty, express or implied, written or oral, including that of merchantability or fitness for any particular purpose with respect to battery.

Disposal: Please follow local guidelines regarding the disposal or recycling of batteries and/or electronics.

For your records, please record:
Date Purchased: _____
Where Purchased: _____
Date Installed: _____ / _____ Month/Year
Replace Alarm 10 years after installation.
Please write the date in the space provided: _____ / _____ Month/Year

The Alarm will also provide an audible End-of-Life Signal approximately 10 years after installation to remind you to replace the unit.

The End-of-Life Signal can be silenced for up to 2 days. Do not unplug or deactivate the Alarm until you get replacement.

Printed in Mexico | M08-0610-000 09/24

CONFORMS TO UL STD 217

120 VAC ~ 60Hz, 0.06A

firstalert.com



© 2024 Resideo Technologies, Inc. All rights reserved. These products are

manufactured by Resideo Technologies, Inc. and its affiliates. 3901 Liberty Street,

Aurora, IL 60504-8122. Customer Service Team: (800) 323-9005 | firstalert.com